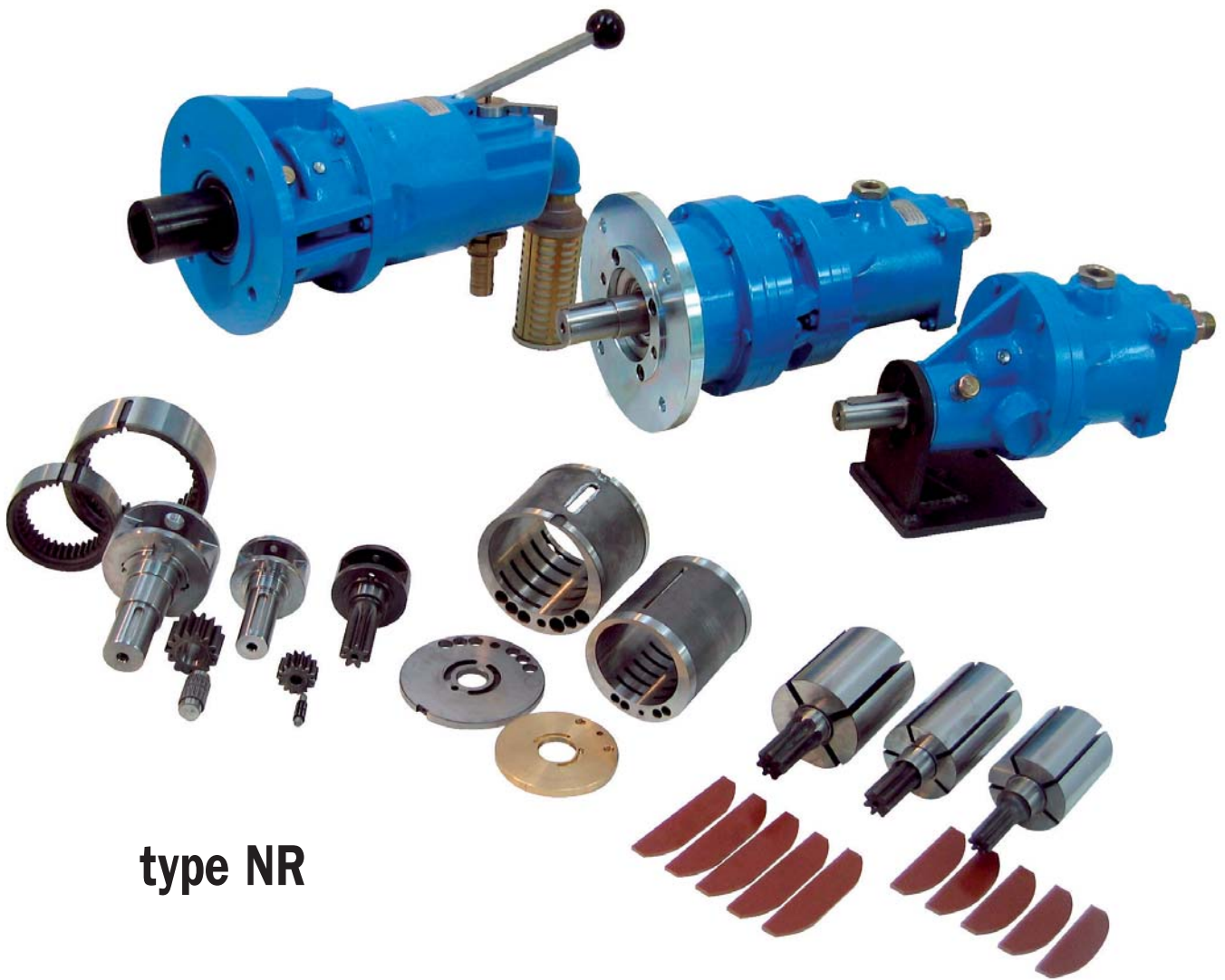


## PNEUMATIC MOTORS

Multi-vane air motors, from 2.4 to 6.0 HP

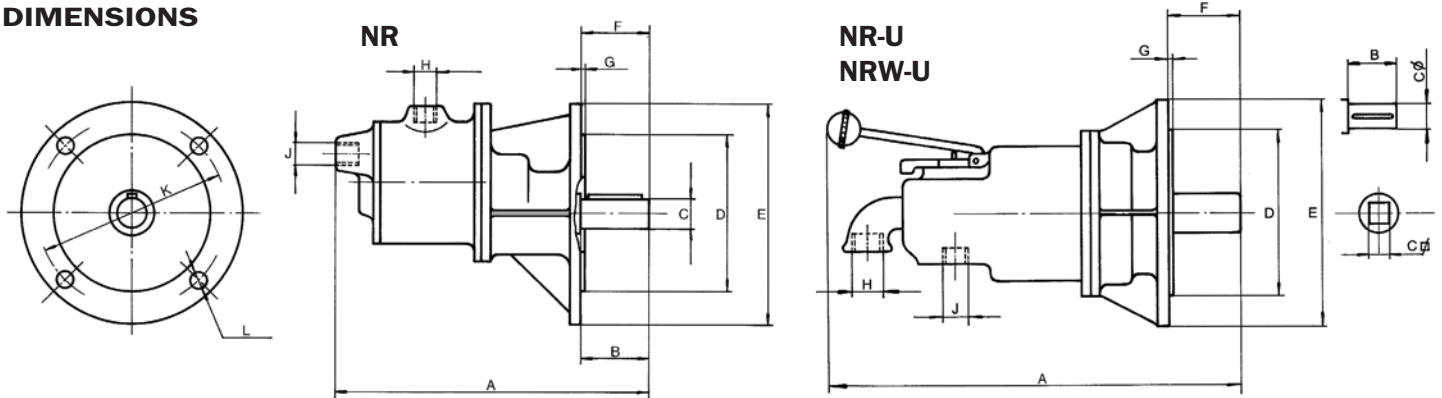


type NR

- Reversible, flange mounting, with gearbox
- For use in mining or public works equipment (drilling machines, grouting equipment, conveyor belts, etc.), chemical and petrochemical industry, shipyards, steel mills, etc.
- Special versions with built-in operating and reversing valve, for use in naval equipment such as winches, hose reels, etc. Available with female  $\square$  shaft and quick coupling flanges.

# VANE AIR MOTORS TYPE NR

## DIMENSIONS



MODEL	A	B	C	D	E	F	G	H	J	K	L				
3NR-30	205	50	24	130	170	50	3.5	3/4"	3/4"	150	8.5				
3NR-15	333	60	28		200	60				165	11.5				
3NR-04	292		32	160	230	195									
3NR-007	410	50	35	130	72.5	4.5	185			14					
4NR-30	240	60	28	130	170	60	3.5	1"	1"	150	8.5				
4NR-15	358			200	165					11.5					
4NR-04	317		32	160	195										
4NR-007	435	50	35	130	230	72.5	4.5			185	14				
6NR-30	240	60	28	160	190	60	3.5	1"	1"	172	8.5				
6NR-15	363			180	250	80	4.5			215	14				
6NR-09	380	80	38	180	250	80	4.5			1-1/4"	1-1/4"	215	14		
6NR-04	390														
3NR-30U	405	60	Ø28	130	230	72.5	4.5	1"	1"					150	8.5
3NR-15U	523			200	60	3.5	165							11.5	
3NR-04U	482			160	230	72.5	4.5			195					
3NR-007U	600	50	Ø35	130	230	72.5	4.5			185	14				
4NR-30U	430	60	Ø28	130	170	60	3.5	1"	1"	150	8.5				
4NR-15U / 4NRW-15U	548/534	60/-	Ø28/□27		200	60/45.5				165	11.5				
4NR-04U / 4NRW-04U	507/497	60/-	Ø28/□27	160	60/46.5	195									
4NR-007U	625	50	Ø35	130	230	72.5	4.5			185	14				
6NR-30U	434	60	Ø28	160	190	60	3.5	1-1/4"	1-1/4"	172	8.5				
6NR-15U / 6NRW-15U	549/547	60/-	Ø28/□27	180	250	60/58	4.5			215	14				
6NR-09U / 6NRW-09U	567/532	80/-	Ø38/□27		80/48										
6NR-04U / 6NRW-04U	584/552	80/-	Ø38/□27		80/44										

NOTE: Other dimensions of shafts or planges available on request

## TECHNICAL DATA (Air pressure = 6 bars)

MODEL	Max. power		Speed at max. power (r/min)	Free speed (r/min)	Torque at max. power (Nm)	Min. starting torque (Nm)	Weight (Kg)	Air consumption at max. power (l/min)
	H.P.	kW						
3NR-30 / 3NR-30U	2.80	2.06	3,000	6,000	6.7	10.1	7	2,700
3NR-15 / 3NR-15U	2.71	1.98	1,300	2,600	15.0	22.5	10.4	
3NR-04 / 3NR-04U	2.58	1.91	460	920	41.0	61.5	14	
3NR-007 / 3NR-007U	2.38	1.76	75	150	230.0	345.0	27.5	
4NR-30 / 4NR-30U	3.90	2.87	3,000	6,000	9.3	14.0	8.5/12.5	3,600
4NR-15 / 4NR(W)-15U	3.69	2.72	1,300	2,600	20.4	30.6	14/19	
4NR-04 / 4NR(W)-04U	3.38	2.50	460	920	52.7	79.0	15.5/19.5	
4NR-007 / 4NR-007U	3.17	2.35	75	150	306.0	459.0	29	
6NR-30 / 6NR-30U	6.00	4.41	3,000	6,000	14.3	21.5	12.5/19	5,000
6NR-15 / 6NR(W)-15U	5.68	4.19	1,500	3,000	27.2	40.8	19.5/26	
6NR-09 / 6NR(W)-09U	5.68	4.19	950	1,900	41.0	61.5	17.5/24	
6NR-04 / 6NR(W)-04U	5.45	4.01	450	900	87.5	131.2	21.5/28	

# NEUMAC

**NEUMAC, S.A.** Polígono de Malpica, A, 16  
50016 ZARAGOZA  
España (Spain)

Teléfono (34) 976 57 10 01  
Fax (34) 976 57 38 98  
E-mail: neumac@neumac.es  
www.neumac.es